



5 HIGH SPEED COUNTER (HSC)

In this chapter we tell high speed counter's functions, including high speed count model, wiring method, read/write HSC value, reset etc.

5-1 . FUNCTIONS SUMMARY

5-2 . HIGH SPEED COUNTER'S MODE

5-3 . HIGH SPEED COUNTER'S RANGE

5-4 . INPUT WIRING OF HIGH SPEED COUNTER

5-5 . INPUT TERMINALS ASSIGNMENT FOR HSC

5-6 . READ AND WRITE THE HSC VALUE

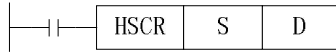
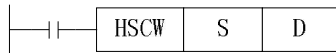



5-7 . RESET MODE OF HSC

5-8 . FREQUENCY MULTIPLICATION OF AB PHASE HSC

5-9 . HSC EXAMPLES

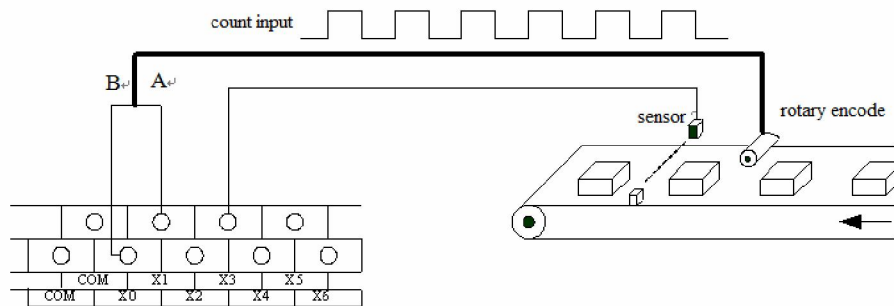
5-10 . HSC INTERRUPTION

Instructions List for HSC

MNEMONIC	FUNCTION	CIRCUIT AND SOFT COMPONENTS	CHAPTER
READ/WRITE HIGH SPEED COUNTER			
HSCR	Read HSC		5-6-1
HSCW	Write HSC		5-6-2
OUT	HSC (High Speed Counter)		3-13
OUT	24 segments HSC Interruption		5-10
RST	HSC Reset		3-13

5-1 . Functions Summary

XC series PLC has HSC (High Speed Counter) function which is independent with the scan cycle. Via choosing different counter, test the high speed input signals with detect sensors and rotary encoders. The highest testing frequency can reach 80KHz.

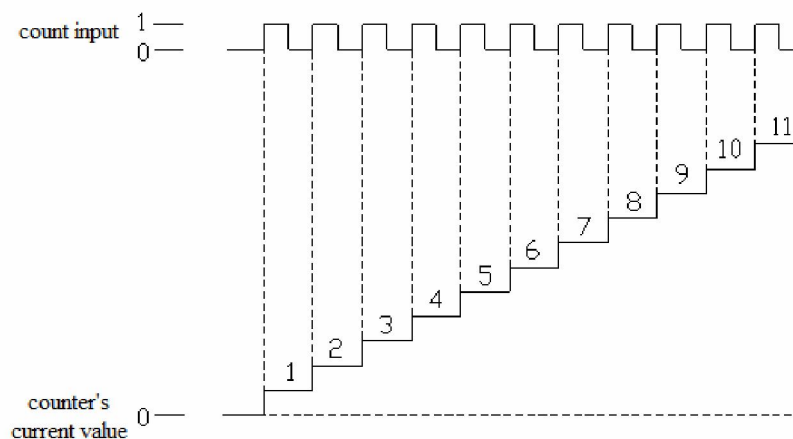


5-2 . HSC Mode

XC series high speed counter's function has three count modes: Increment Mode, Pulse+Direction Mode and AB phase Mode;

Increment Mode

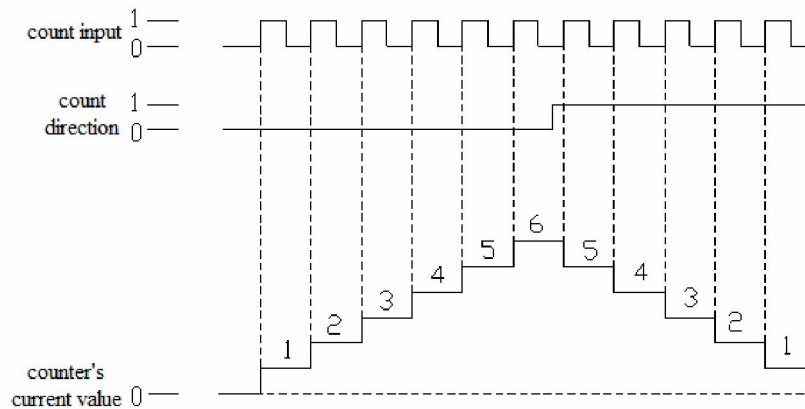
Under this mode, count and input the pulse signal, the count value increase at each pulse's rising edge;



Pulse+Direction Mode

Under this mode, the pulse signal and direction signal are all inputted, the count value increase or decrease with the direction signal's status. When the count signal is OFF,

the count input's rising edge carry on plus count; When the count signal is ON, the count input's rising edge carry on minus count;

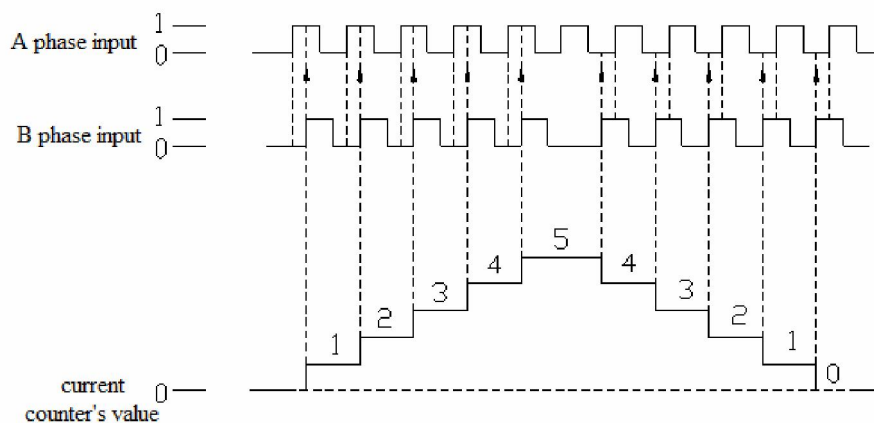


AB Phase Mode

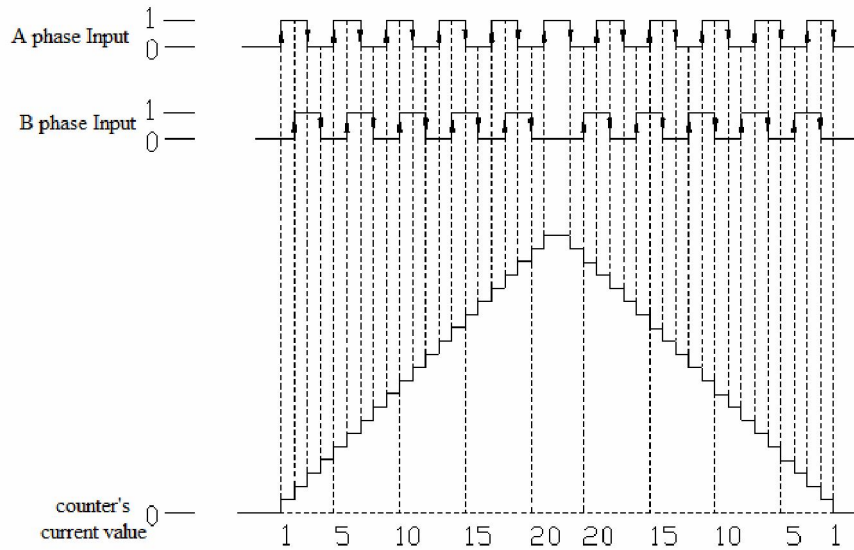
Under this mode, the HSC value increase or decrease according to two differential signal (A phase and B phase). According to the multiplication, we have 1-time frequency and 4-time frequency two modes, but the default count mode is 4-time mode.

1-time frequency and 4-time frequency modes are shown below:

1-time Frequency



4-time Frequency

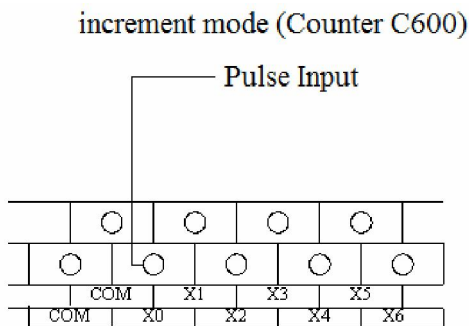


5-3 . HSC Range

HSC's count range is: $K-2,147,483,648 \sim K+2,147,483,647$. If the count value overflows this range, then up flow or down flow appears;
 For "up flow", it means the count value jumps from $K+2,147,483,647$ to be $K-2,147,483,648$, then continue to count; For "down flow", it means the count value jumps from $K-2,147,483,648$ to be $K+2,147,483,647$ then continue to count.

5-4 . HSC Input Wiring

For the counter's pulse input wiring, things differ with different PLC model and counter model; several typical input wiring are shown below: (take XC3-48 as the example):



X004																		
X005																		
X006																		

5-6 . Read/Write HSC value

All high speed counters support read instruction [HSCR] and write instruction [HSCW], but users need to use hardware V3.1c and above.

5-6-1 . Read HSC value [HSCR]

1、 Instruction Summary

Read HSC value to the specified register;

Read from HSC [HSCR]/ write to HSC [HSCW]			
16 bits Instruction	-	32 bits Instruction	HSCR
Execution condition	Normally ON/OFF, rising/falling edge	Suitable models	XC2、XC3、XC5、XCM
Hardware requirement	V3.1c and above	Software requirement	-

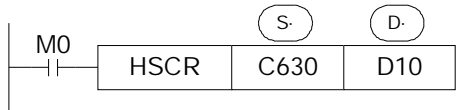
2、 Operands

Operands	Function	Type
S	Specify HSC code	32 bits, BIN
D	Specify the read/written register	32 bits, BIN

3、 Suitable Soft Components

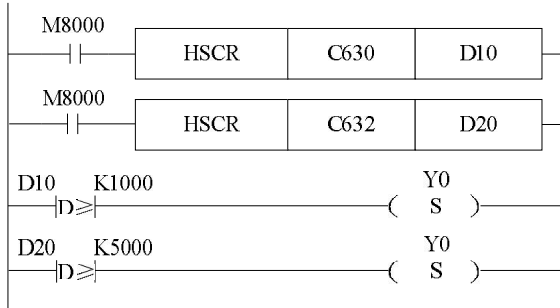
word	operands	system								constant	module		
		D	FD	ED	TD	CD	DX	DY	DM	DS	K/H	ID	QD
	S												
	D												

FUNCTIONS AND ACTIONS



- l When the activate condition is true, read the HSC value in C630 (DWORD) into D10 (DWORD)
- l Instruction HSCR read the HSC value into the specified register, improve HSC value's precision.

Sample Program:



5-6-2 . Write HSC value [HSCW]

1、 Instruction Summary

Write the specified register value into HSC;

Write HSC value [HSCW]			
16 bits Instruction	-	32 bits Instruction	HSCW
Execution condition	Normally ON/OFF, rising/falling edge	Suitable models	XC2、XC3、XC5、XCM
Hardware requirement	V3.1c and above	Software requirement	-

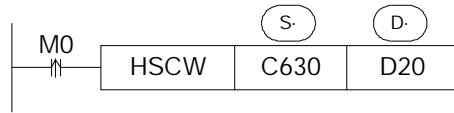
2、 operands

Operands	Function	Type
S	Specify HSC code	32 bits, BIN
D	Specify the read/written register	32 bits, BIN

3、 suitable soft components

word	operands	system								constant	module		
		D	FD	ED	TD	CD	DX	DY	DM	DS	K/H	ID	QD
S													
D													

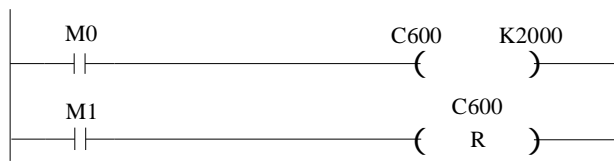
FUNCTIONS AND ACTIONS



- | When the activate condition is true, write the value in D20 (DWORD) into C630 (DWORD), the original value is replaced;
- | We suggest the users to apply high speed counter only with HSCR and HSCW, not with other instructions like DMOV, LD>, DMUL etc. and users must run after converting HSC to be other registers.

5-7 . HSC Reset Mode

Reset HSC via software:



In the above graph, when M0 is ON, C600 starts to count the input pulse on X0; when M1 changes from OFF to be ON, reset C600, clear the count value

5-8 . AB Phase counter multiplication setting

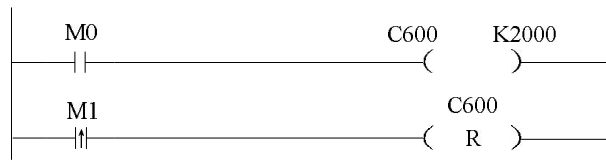
About AB phase counter, modify the frequency multiplication value via setting FLASH data register FD8241, FD8242, FD8243. If the value is 1, it is 1-time frequency, if it is 4, it is 4-time frequency.

Register	Function	Set Value	Meaning
FD8241	Frequency multiplication of C630	1	1-time frequency
		4	4-time frequency
FD8242	Frequency multiplication of C632	1	1-time frequency
		4	4-time frequency
FD8243	Frequency multiplication of C634	1	1-time frequency
		4	4-time frequency

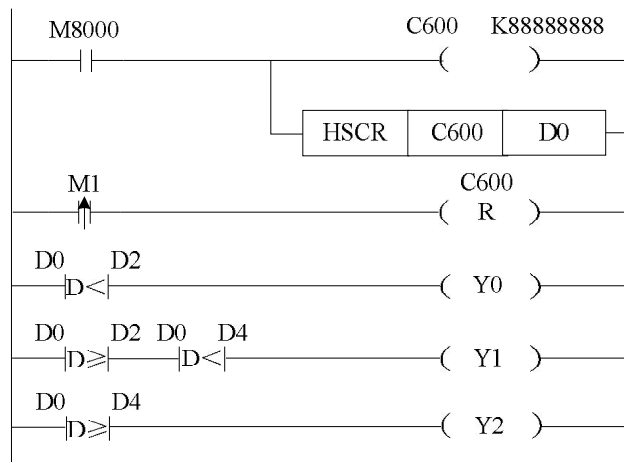
5-9 . HSC Example

Below, we take XC3-60 PLC as the example, to introduce HSC's program form;

Increment Mode

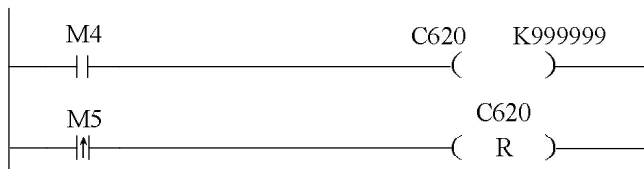


- | When M0 is ON, C600 starts the HSC with the OFF ON of X000;
- | When comes the rising edge of M1, reset HSC C600

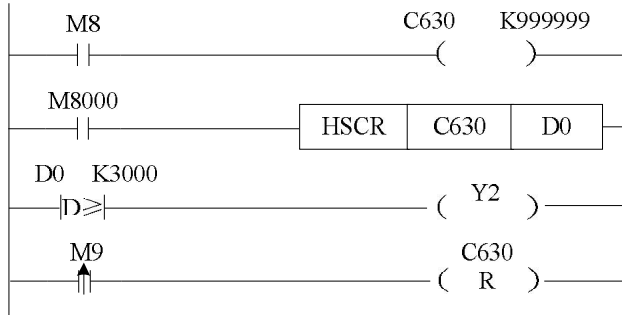


- | When normally ON coil M8000 is ON, set the value of C600, the set value is K888888888, read the HSC value (DWORD) into data register D0 (DWORD).
- | If the value in C600 is smaller than value in D2, set the output coil Y0 ON; If the value in C600 equals or be larger than value in D2, and smaller than value in D4, set the output coil Y1 ON; If the value in C600 equals or be larger than value in D4, set the output coil Y2 ON;
- | When comes the rising edge of M1, reset HSC C600 and stop counting.

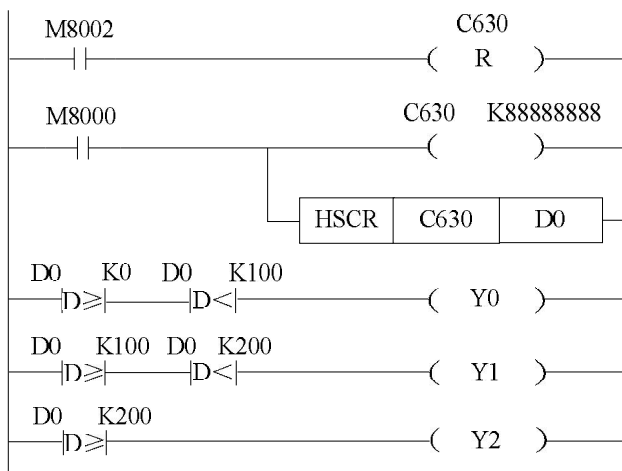
Pulse+Dir Mode



- | When M4 is ON, C620 starts the HSC with the OFF ON of X000; judge the count direction according to the input X001 status (OFF or ON). If X001 is OFF, it's increment count; if X001 is ON, it's decrement count;
- | When comes the rising edge of M5, reset HSC C620 and stop counting.



- | When M8 is ON, C630 starts to count immediately. Count input via X000 (B Phase)、 X001 (A Phase)
- | When the count value exceeds K3000, output coil Y2 is ON;
- | When comes the rising edge of M9, reset HSC C630



- | When the rising edge of initial positive pulse coil M8002 comes, i.e. Each scan cycle starts, HSC C630 reset and clear the count value.
- | When set coil M8000 ON, C630 starts to count, the count value is set to be K8888888.
- | If the count value is greater than K0 but smaller than K100, the output coil Y0 set ON; If the count value is greater than K100 but smaller than K200 时, the output coil Y1 set ON; If the count value is greater than K200, the output coil Y2 set ON;

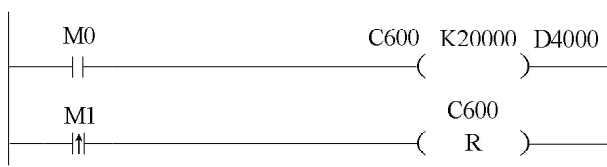
5-10. HSC Interruption

To XC series PLC, each HSC channels has 24 segments 32-bit pre-set value. When the HSC difference value equals the correspond 24-segment pre-set value, then interruption occurs according to the interruption tag;

To use this function, please use hardware V3.1c or above;

5-10-1. Instruction Description

(for the program about interruption, please refer chapter 5-10-4)



```
LD      M0                //HSC activate condition M0 (interruption count condition)
OUT     C600  K20000  D4000  //HSC value and set the start ID of 24-segment
LDP     M1                //activate condition reset
RST     C600              //HSC and 24-segment reset (interruption reset)
```

As shown in the above graph, data register D4000 is the start ID of 24-segment pre-set value area. Behind it, save each pre-set value in DWORD form. Please pay attention when using HSC:

- | If certain pre-set value is 0, it means count interruption stops at this segment;
- | Set the interruption pre-set value but not write the correspond interruption program is not allowed;
- | 24-segment interruption of HSC occurs in order. I.e. If the first segment interruption doesn't happen, then the second segment interruption will not happen;
- | 24-segment pre-set value can be specified to be relative value or absolute value. Meantime, users can specify the et value to be loop or not. But the oop mode can't be used together with absolute value.

5-10-2. Interruption tags to HSC

In the below table, we list each counter's 24-segment pre-set value to its interruption tag. E.e.: 24-segment pre-set value of counter C600 correspond with the interruption pointer: I1001、 I1002、 I1003、 ...I1024.

Increment mode		pulse+direction mode		AB phase mode	
Counter	Interruption tag	Counter	Interruption tag	Counter	Interruption tag
C600	I1001~I1024	C620	I2001~I2024	C630	I2501~I2524
C602	I1101~I1124	C622	I2101~I2124	C632	I2601~I2624
C604	I1201~I1224	C624	I2201~I2224	C634	I2701~I2724
C606	I1301~I1324	C626	I2301~I2324	C636	I2801~I2824
C608	I1401~I1424	C628	I2401~I2424	C638	I2901~I2924

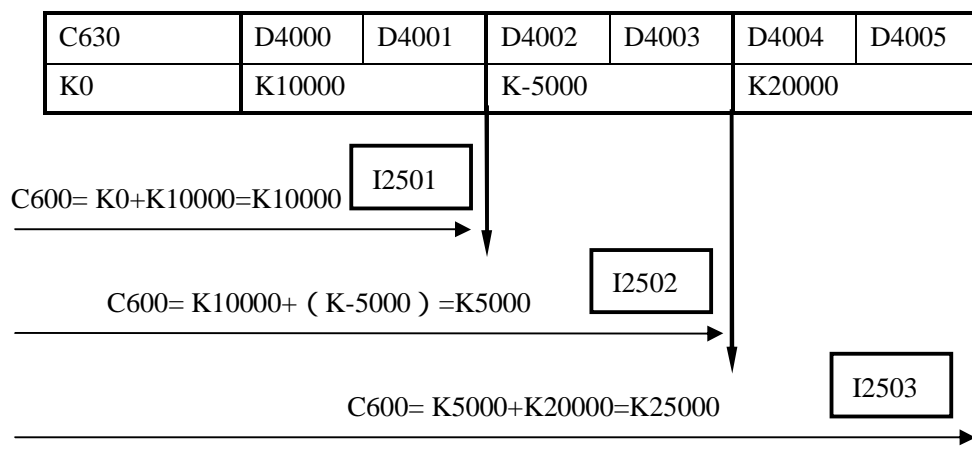
C610	I1501~I1524
C612	I1601~I1624
C614	I1701~I1724
C616	I1801~I1824
C618	I1901~I1924

Define the presetvalue

HSC 24-segment pre-set value is the difference value, the count value equals the counter's current value plus the preset value, generate the interruption. N interruption tags correspond with N interruption preset values. The (N+1) preset value is 0;

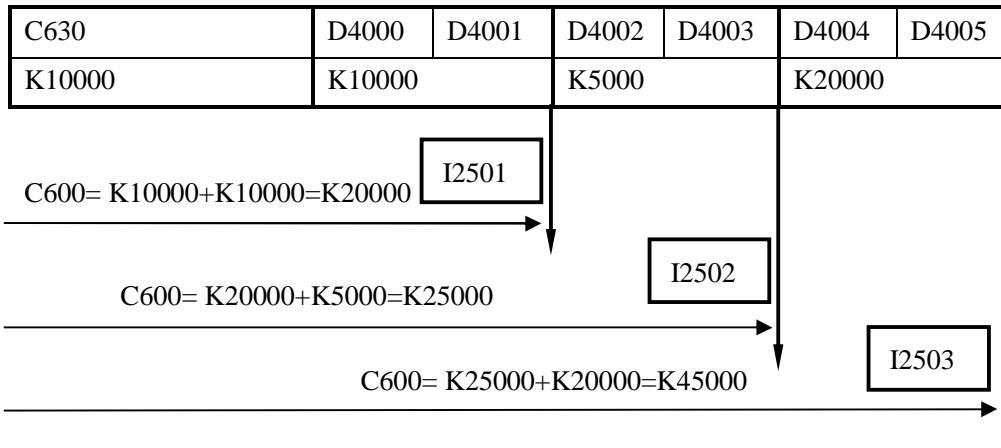
E.g. 1, the current value is C630 is 0, the first preset value is 10000, the preset value in segment 2 is - 5000, the preset value in segment 3 is 20000. When start to count, the counter's current value is 10000, generate first interruption I2501; When start to count, the counter's current value is 5000, generate first interruption I2502 ; When start to count, the counter's current value is 25000, generate first interruption I2503.

See graph below:



E.g. 2, the current value is C630 is 10000, the first preset value is 10000, the preset value in segment 2 is 5000, the preset value in segment 3 is 20000. When start to count, the counter's current value is 20000, generate first interruption I2501; When start to count, the counter's current value is 25000, generate first interruption I2502 ;When start to count, the counter's current value is 45000, generate first interruption I2503.

See graph below:



5-10-3. Loop mode of HSC Interruption

Mode 1: Unicycle (normal mode)

Not happen after HSC interruption ends. The conditions below can re-start the interruption:

- (1) reset the HSC
- (2) Reboot the HSC activate condition

Mode 2: Continuous loop

Restart after HSC interruption ends. This mode is especially suitable for the following application:

- (1) continous back-forth movement
- (2) Generate cycle interruption according to the defined pulse

Via setting he special auxiliary relays, users can set the HSC interruption to be unicycle mode or continous loop mode. The loop mode is only suitable with the relative count. The detailed assignment is show below:

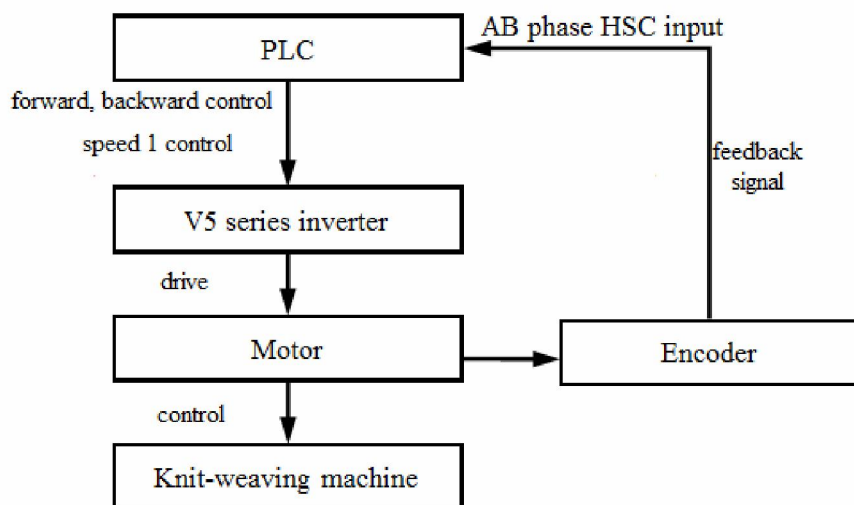
ID	HSC ID	Setting
M8270	24 segments HSC interruption loop (C600)	OFF: unicycle mode ON: continous loop mode
M8271	24 segments HSC interruption loop (C602)	
M8272	24 segments HSC interruption loop (C604)	
M8273	24 segments HSC interruption loop (C606)	
M8274	24 segments HSC interruption loop (C608)	
M8275	24 segments HSC interruption loop (C610)	
M8276	24 segments HSC interruption loop (C612)	
M8277	24 segments HSC interruption loop (C614)	
M8278	24 segments HSC interruption loop (C616)	
M8279	24 segments HSC interruption loop (C618)	
M8280	24 segments HSC interruption loop (C620)	

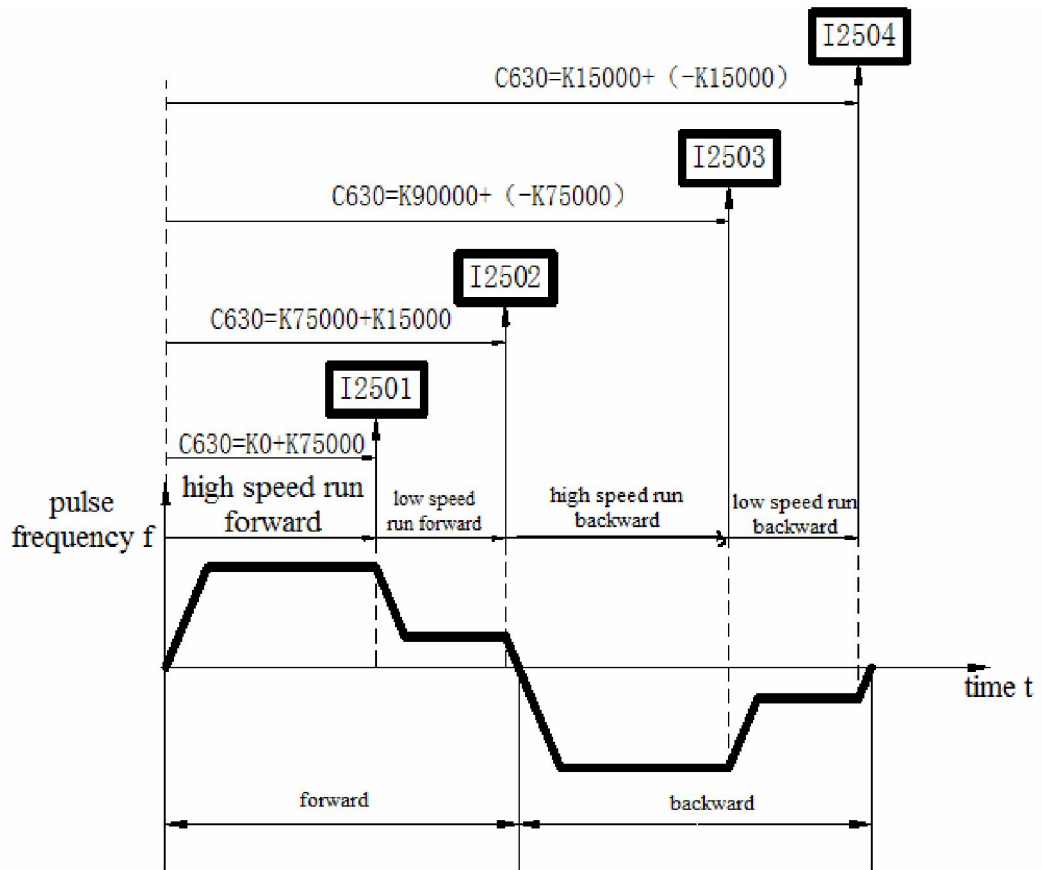
M8281	24 segments HSC interruption loop (C622)	
M8282	24 segments HSC interruption loop (C624)	
M8283	24 segments HSC interruption loop (C626)	
M8284	24 segments HSC interruption loop (C628)	
M8285	24 segments HSC interruption loop (C630)	
M8286	24 segments HSC interruption loop (C632)	
M8287	24 segments HSC interruption loop (C634)	

5-10-4. Example of HSC Interruption

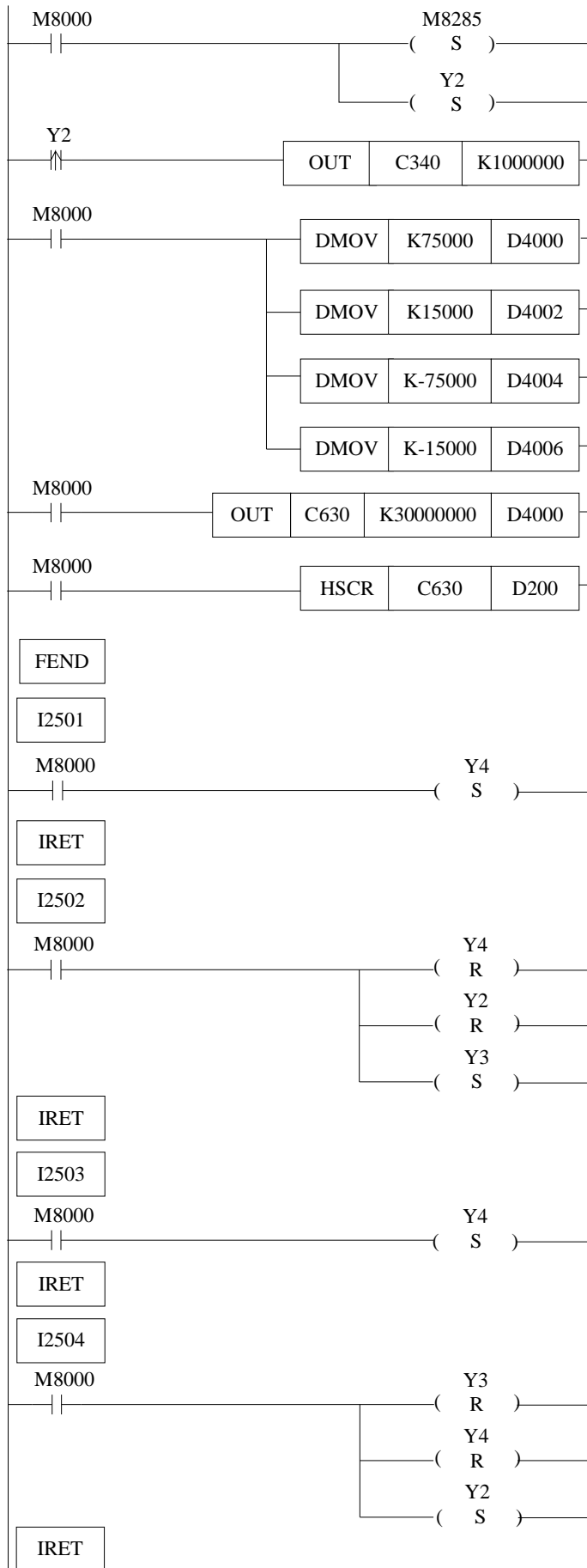
E.g.2 : Application on knit-weaving machine (continous loop mode)

The system theory is shown as below: Control the inverter via PLC, thereby control the motor. Meantime, via the feedback signal from encoder, control the knit-weaving machine and realize the precise position.





Below is PLC program: Y2 represents forward output signal; Y3 represents backward output signal; Y4 represents output signal of speed 1; C340: Back-forth times accumulation counter; C630: AB phase HSC;



Instruction List Form:

```
LD M8002 //M8002 is initial positive pulse coil
SET M8285 //special auxiliary relay set ON, to enable C630 continuous loop
SET Y2 //set output coil Y2 (i.e. Start run forth)
LDP Y2 //knit-weaving machine back-forth times counter's activate condition Y2 (forth rising edge activate)
OUT C340 K1000000 //counter C340 starts to count
LD M8000 //M8000 is normally ON coil
DMOV K75000 D4000 //set segment-1 ID D4000 to be K75000 ,
DMOV K15000 D4002 //set segment-2 D4002 to be K15000 ,
DMOV K-75000 D4004 //set segment-3 D4004 to be K-75000 ,
DMOV K-15000 D4006 //set segment-4 D4004 to be K-15000 ,
LD M8000 //M8000 is normally ON coil
OUT C630 K30000000 D4000 //HSC and start ID of 24-segment
LD M8000 //M8000 is normally ON coil
HSCR C630 D200 //read the HSC value of C630 to D200
FEND //main program end
I2501 //interruption tag of segment 1
LD M8000 //M8000 is normally ON coil
SET Y4 //output coil Y4 set (low-speed run with speed 1)
IRET //interruption return tag
I2502 //interruption tag of segment 2
LD M8000 //M8000 is normally ON coil
RST Y4 //output coil Y4 reset (low-speed run stop)
RST Y2 //output coil Y2 reset (run forward stops)
SET Y3 //output coil Y3 set (back running)
IRET //interruption return tag
I2503 //interruption tag of segment 3
LD M8000 //M8000 is normally ON coil
SET Y4 //output coil Y4 set (low-speed run with speed 1)
IRET //interruption return tag
I2504 //interruption tag of segment 4
LD M8000 //M8000 is normally ON coil
RST Y3 //output coil Y3 reset (back running stop)
RST Y4 //output coil Y4 reset (low-speed run stop)
SET Y2 //output coil Y2 set (run forward)
IRET //interruption return tag
```